

BUFFALO

TeraStation WSS 5000R2

User Manual



www.buffalotech.com

30020333-01
2014-01

File Name: Buffalo terastation 5000 user manual.pdf

Size: 1523 KB

Type: PDF, ePub, eBook

Category: Book

Uploaded: 15 May 2019, 15:46 PM

Rating: 4.6/5 from 711 votes.

Download Now!

Please check the box below to proceed.



I'm not a robot



reCAPTCHA
Privacy - Terms

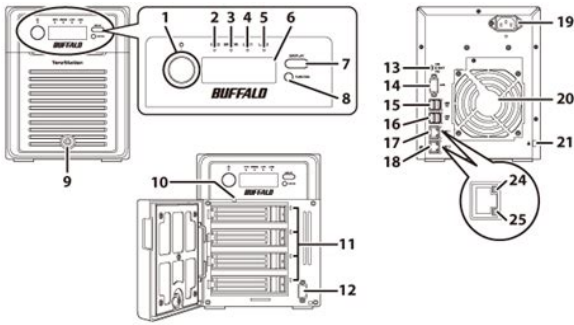
Book Descriptions:

Buffalo terastation 5000 user manual



USB hubs are not supported. USB 2.0 Port Compatible Buffalo USB hard drives, USB flash drives, digital cameras, and USB UPS connections can be connected. USB hubs are not supported. LAN Port 1 Use an Ethernet cable to connect this port to your network. You may connect a second TeraStation directly to this port for backup. Power Connector Use the included power cable to connect to an UPS, surge protector, or outlet. Do not block the fan. For Mac OS, select the TeraStations icon while holding down the control key, then select Settings. Enter the username and password, then click OK. When all the LEDs on the front of the TeraStation turn off, the shutdown process is complete. Changing the Administrator Password After initial setup, follow this procedure to change your password. Doubleclick the icon to start NAS Navigator2. On the Mac, select the TeraStations icon while holding down the control key, then select Settings. Click Easy Admin. Click Change Password. Enter the new password twice and click Next. Click OK. You have changed the admin password. Creating a Recovery Drive To initialize all of the TeraStations settings, or just restore the admin password to its factory default value, create the recovery drives as described below. Note All data on the USB flash drive will be erased. Select Create a USB drive for initializing settings. Open the interface using the procedure below or type the TeraStations IP address in the URL field of your browser. Within Settings, the Easy Admin page gives you quick access to commonly used settings. Note Internet Explorer 9, Firefox 18, Google Chrome 24, Safari 5, and later are supported. Settings will open. Configuring access restrictions through Windows is not supported and may cause unexpected behavior. Do not use a symbol or space as the first character. If you create a filename on a Mac with any of the following characters, it will not display correctly on a Windows computer. The recycle bin will only work with SMB connections. <http://www.donohuemarques.com/uploads/dea-practitioner-s-manual-2011.xml>

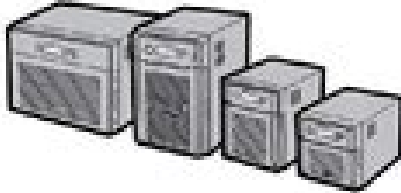
- **buffalo terastation 5000 user manual, buffalo terastation 5000 user manual download, buffalo terastation 5000 user manual pdf, buffalo terastation 5000 user manual free, buffalo terastation 5000 user manual instructions.**



To empty the recycle bin, click File Sharing Folder Setup Empty Recycle Bin in Settings. Do not use a symbol or space as the first character. Select the level of access for the user or group you added. The most restrictive access always applies. Select the level of access for the user or group. Read and write access allowed Read access allowed Access prohibited Click OK. If you do, you will need to enable SMB again and reconfigure AD from scratch. NT Domain In an NT domain environment, the TeraStation uses account information from the NT domain server to set access restrictions for files and folders on the TeraStation. If a prompt appears, click Yes. Enter a workgroup name. You can also specify a server from another subnet. External users cannot be reverted to local users. Click on the External Users tab and select the level of access for each external user. Read and write access allowed Read access allowed Access prohibited. This utility will let you easily change or restore your Windows security settings to work with external authentication. The type of RAID arrays available for use depends on how many drives are installed in your TeraStation. TeraStation Default RAID Mode TS5800D, TS5800DN, TS5800DWR TS5600D, TS5600DN TS5400D, TS5400DN, TS5400DWR RAID 5 TS5400R, TS5400RH, TS5400RN, TS5400RWR. RAID 5 combines 3 or more drives into a single array. The usable space is equal to the sum of the capacity of the hard drives minus the capacity of one drive. For example, if 4 drives are combined into a RAID 5 array, the usable space is the sum of 3 drives. To put drives from an array into JBOD, follow the steps below. In Settings, click Drives. Click the array to delete. Click Delete RAID Array. Proceed to step 7. Click Delete RAID Array. Enter the confirmation number, then click OK. Click OK. Configuring a Hot Spare If you have a hot spare configured and an array fails, the TeraStation immediately switches over to the hot spare. <http://backkwang.com/userData/board/dea-pharmacy-manual.xml>

TeraStation™ 5000

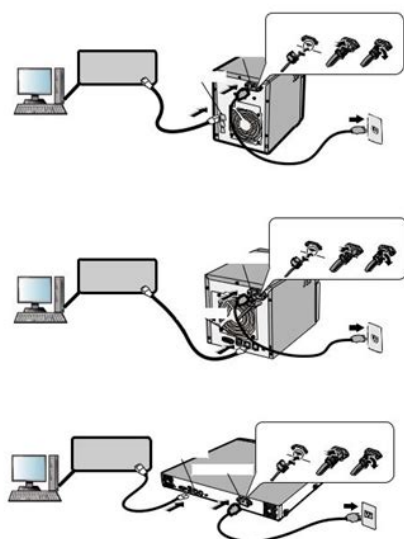
TSS8000 TSS6000 TSS4000 TSS2000

Buffalo Inc.
www.buffalotech.com

To use a hot spare, you need an extra drive that's not part of any array and a RAID 1, RAID 10, RAID 5, RAID 51, or RAID 6 array. This will rebuild the RAID array. RMM RAID Mode Manager With RMM, you can create or expand a RAID array without erasing the data on the drives. Select the drive to add to the RAID array. Click Create RAID Array. Enter the confirmation number, then click OK. Adding a Drive to an Existing RAID Array You can add a drive to a RAID 1, RAID 5, or RAID 6 array. Select the drive to add to the RAID array. Changing the RAID Mode While Adding a Drive Select the drive you want to add to the RAID array and choose the mode for the array. However, the following USB drives are not supported. Some external drives with automatic power on don't turn on automatically when connected to the TeraStation. When the following message is displayed, it is safe to unplug the drive. Note To remount the drive, unplug it and then plug it back in. Checking Drives A disk check tests the data on a drive in the TeraStation or connected via USB for integrity. Errors are fixed automatically. Click Check. You have the option of deleting information files from Mac OS during the check if desired. S.M.A.R.T. S.M.A.R.T. SelfMonitoring, Analysis, and Reporting Technology monitors hard drives to detect and report various indicators of reliability, in the hope of anticipating failures. Different information may be displayed depending on the brand of drives in your TeraStation. Critical attributes are displayed in bold. Attributes with current value less than or equal to the threshold value may be significant. Select the drive to format, then click Format Disk. Select a format type, then click Format. Enter the confirmation number, then click OK. Encrypted drives and arrays are then readable only from that specific TeraStation. Media Cartridges If configured as a media cartridge, an internal drive can be used as a removable storage device in the same way as an external drive.

Erase Data on the TeraStation Completely Under some circumstances, data from formatted drives can be recovered. The disk erasure process in this section does a much more thorough job of erasing data. Enter the confirmation number, then click OK. All data on the TeraStation will be permanently erased. Disk Quotas You can set a disk quota to limit drive space for each user or group. You can also set an alert space. If the drive space exceeds the set alert space, an email notification is sent. Select the user whose space will be limited. Enable quotas, choose the maximum space the user will

be allowed to use, and click OK. Note If you change the primary group, restart the TeraStation to apply the quota settings. Click OK. Select the user who will inherit the group quota settings. Change the users primary group to the group with the quota, then click OK. Click OK. Size Limits If LVM is enabled, volumes can be created with maximum size limits. In Settings, click Drives. Click Create Volume. Click Create Folder. Configure the settings. Select the volume that you created and click OK. Using the TeraStation as an iSCSI Device Introduction iSCSI is a protocol for carrying SCSI commands over IP networks. If using TS5000 series TeraStations, you can also use Buffalo iSCSI Connection Tool to connect to an iSCSI hard drive. Windows Vista or later, Windows Server 2008 or later The Microsoft iSCSI Software Initiator is already installed on your computer. One uses the preinstalled Microsoft iSCSI Initiator on Windows; the other uses Buffalo iSCSI Connection Tool. The method to use Buffalo iSCSI Connection Tool is available only to customers with TS5000 series TeraStations. Confirm if the connection is established and click Done. Connecting a volume is finished. If using the connected volume for the first time, the volume should be formatted to be used as a local drive. Follow the procedure below for formatting.



<http://www.drupalitalia.org/node/73304>

Click Start Programs Buffalo iSCSI Connection Tool iSCSI Connection Tool. When the formatting process is completed, the drive will be visible as an icon in Computer or My Computer and can be used as a normal drive on the computer. Disconnecting a Volume Click Start Programs Buffalo iSCSI Connection Tool iSCSI Connection Tool. Using with Multiple Computers If the TeraStation is divided into multiple volumes or drives, it can be used with multiple computers. However, multiple computers cannot be accessed from one volume or one drive at the same time. Click the Security tab. Enable access restrictions, enter the username and password, and click OK. Configuring Access Restrictions for Individual Volumes If access restrictions are configured for a volume, that volume cannot be accessed unless the username and password are authenticated. Enter the confirmation number, then click OK. Click OK, then Close. Accessing the accessrestricted volume is finished. Using Buffalo iSCSI Connection Tool Open the Buffalo iSCSI Connection Tool. The screen to enter the username and password will be displayed. Enter the mutual authentication password and click OK. When authentication is successful, click OK. Accessing the accessrestricted volume is finished. Expanding Volume Sizes The volume size of the existing volumes can expand after they are

created. Enter the confirmation number, then click OK. Click OK, then Close. Expanding the volume size is finished. Deleting Volumes To delete an existing volume, follow the procedure below. Note Deleting a volume will erase all data on the volume. Confirm that the volume is correctly selected on the screen and click OK. Enter the confirmation number, then click OK. Click OK. Click Close. Deleting the volume is finished. Hard Drive Replacement Examples Drive Replacement using JBOD or a redundant RAID mode such as RAID 1, 5, or 6 with autoshtutdown disabled Insert the new drive into the empty slot.

<http://creaturegraphics.com/images/bose-entero-4100-manual.pdf>



Slide the drive in with the locking mechanism open. Close the front cover. When the replacement hard drive is recognized, the status LED will flash red and the I31 message will be displayed on the LCD panel. Hold down the function button on the front of the TeraStation for 3 seconds until it beeps. For RAID 1, 5, or 6 The TeraStation will start rebuilding the RAID array automatically. Create a shared folder on the drive before use. Drive Replacement using a redundant RAID mode such as RAID 1, 5, or 6 with auto shutdown enabled This section describes the process of replacing a drive while the TeraStation is off. Pull out the hard drive cartridge and remove it from the TeraStation. Insert the new hard drive sold separately into the empty slot. Slide the drive in with the locking mechanism open. Preparing a Backup Destination First, configure a folder as a backup destination. Click List of LinkStations and TeraStations. Note Up to 8 backup jobs can be configured. The following types of backup jobs may be selected Type Files included All files in the source will be backed up to the destination. Data is retrieved from the previous backup file for files that were not changed. This is useful for making backups with limited space or for referencing status at a particular point in time for use for data snapshot applications. Click Close. Replication Replication copies all data from a share to a share on a different TeraStation. This is an easy way to configure a reliable system to provide data protection in the event your main TeraStation fails. Note Do not configure a backup password for the shared folders. Folders with a backup password set cannot be selected as replication targets. Select the shared folder that will be the replication source, then click OK. Click Resync to recover from the replication error. All files from the source folder will be copied to the target folder. Failover With failover, two TeraStations are connected to the network for redundancy.

<http://crieedelaboucherie.com/images/bose-entero-4200-manual.pdf>



The backup TeraStation is updated over normal network traffic. Connecting to the network at LAN port 1 and setting failover at LAN port 2 With the second setup, the backup TeraStation and main TeraStation are connected by a second Ethernet cable connecting their LAN 2 ports. Note The target TeraStations hostname, IP address, and LAN port number will be shown. The LAN port selected here will be used to check the main TeraStation for continued operation. Enter the administrator password of the target backup device, then click Continue. If the administrator password is correct, the backup TeraStation will beep. If no service IP address is set, or a fixed IP address is set, an attempt is made to inherit the IP address from the main TeraStation. On the Mac, open System Preferences. Select the TeraStation, then click Use Disk. Note If access restrictions are not configured on the target share, log in with the administrator account. If access restrictions are configured, log in with an account with write privileges. Be careful when configuring WebAccess. Certain settings can make the files in the shared folder available to anyone on the Internet, without any access restrictions. Files are not added to this folder and the amount of used space does not increase. If using a BuffaloNAS.com name, it should be the same BuffaloNAS.com name assigned to the source TeraStation. By default, the TeraStations shares are only accessible by users connected to the same network or router as the TeraStation. Enter the bucket name, access key ID, and secret access key; select the storage class and the connection protocol, then click OK. Enter a shared folder name to use with the cloud storage service and click OK. In Settings, click Backup. Click Close. In the displayed page, enter the proxy server name, port number, username, and password. The information in this chapter is for users who are familiar with BitTorrent. Note Use compatibility mode to use the download manager with Windows 8.

1 and Windows 8. In Settings, click Applications. The download manager will open. The TeraStation includes a DLNA server compliant with the DLNA guidelines. The movies, photos, and music saved on this product can be played back on DLNA-compliant TVs, stereo equipment, game consoles, and other devices within the network. Select the TeraStation in the software of the DLNA-compatible device. Click DLNA Client Access Permissions. A list of the MAC addresses, IP addresses, and device names of the DLNA-compatible devices connected to the same network as the TeraStation is displayed. If your device is not listed, click Refresh Database. Streaming to DLNA-compatible Devices When new movies, photos, and music files are added to the TeraStations DLNA folder, the database must be updated before the new file can be streamed. You may change the update interval, or select Refresh Database to update the database immediately. Disabling Playback from Specific Devices You may block specific DLNA devices from playing back media content. In Settings, click Services. Supported File Types The TeraStation supports DLNA streaming of files with the extensions below. Move the iTunes server switch to the position. Squeezebox Server Squeezebox is a network music player by Logitech that can play back music stored on your network using your wired or wireless LAN without a computer. Squeezebox supports mp3, flac, ogg, heaac v2 and wma. Configuration In Settings, click Services. Enter port number 9001 is recommended, then click OK. Click OK. The Squeezebox's settings will open. Click Browse. Choose a folder for recorded video,

then click OK. Note Use a folder with at least 100 GB of available space. Click Start BUFFALO BUFFALO Surveillance Server Vault Admin. For Windows 8.1 and Windows 8, click Vault Admin in the Start menu. Select the TeraStation where you want to add the license, rightclick it, and click Properties. To deactivate the license, click.

<https://southportrubbish.com/wp-content/plugins/formcraft/file-upload/server/content/files/1626c4f1f840c2--captivate-manual-recording.pdf>

Registering Recording Policies Register the network camera that is used. Click Start BUFFALO BUFFALO Surveillance Server Camera Policies. For Windows 8.1 and Windows 8, click Camera Policies in the Start menu. Click the. Enter the username and password if they are configured, then click Next. Note Clicking Test Camera runs an operational check on the network camera. Enter the description, then click Next. Select the TeraStation where the video will be recorded, then click Next. Wait at least 15 minutes after registering the recording policy before checking the recording. Click Start BUFFALO BUFFALO Surveillance Server Surveillance Video Manager. For Windows 8.1 and Windows 8, click Surveillance Video Manager in the Start menu. Click Start BUFFALO BUFFALO Surveillance Server Surveillance Video Manager. For Windows 8.1 and Windows 8, click Surveillance Video Manager in the Start menu. Click a thumbnail to start the media viewer. Note Live Viewer data cannot be viewed. Click Start BUFFALO BUFFALO Surveillance Server Live Viewer. For Windows 8.1 and Windows 8, click Live Viewer in the Start menu. Note A separate surveillance server license pack must be purchased to do this. Click Start BUFFALO BUFFALO Surveillance Server Data Service Policies. For Windows 8.1 and Windows 8, click Data Service Policies in the Start menu. Note A separate surveillance camera license pack must be purchased to do this. For Windows 8.1 and Windows 8, click Data Service Policies in the Start menu. Click Start BUFFALO BUFFALO Surveillance Server Data Service Policies. For Windows 8.1 and Windows 8, click Data Service Policies in the Start menu. This determines the used space threshold. Click Start BUFFALO BUFFALO Surveillance Server Camera Policies. For Windows 8.1 and Windows 8, click Camera Policies in the Start menu. Click to start a wizard to register network cameras and schedule recording.

AYBAR-GALLERY.COM/userfiles/files/concord-4-manual.pdf

Click to open the camera configuration screen where network cameras are registered. Click to start a new registration screen for an additional network camera. The right side of the screen includes tools for creating and updating data service policies. The left side of the screen shows an overview of all data service policies. Prepares a media device. Unloads a media device. Erases a media device. Refreshes the current screen. Surveillance Video Manager Surveillance Video Manager is utility software for performing searches and exporting recorded video data. Search Window. All clients and TeraStations located on the network are indicated by and labels. When the TeraStation is Connected to the Internet Click Start BUFFALO BUFFALO Surveillance Server Vault Admin. For Windows 8.1 and Windows 8, click Vault Admin in the Start menu. Enter the product key for the license pack sold separately, then click OK. Click Start BUFFALO BUFFALO Surveillance Server Vault Admin. For Windows 8.1 and Windows 8, click Vault Admin in the Start menu. Open the website in web browser In the computer connected to the same network as the TeraStation, click Start BUFFALO BUFFALO Surveillance Server Vault Admin. For Windows 8.1 and Windows 8, click Vault Admin in the Start menu. Select the license file that was saved before, then click OK. This completes authentication of an additional license. Troubleshooting Issue Possible Cause Possible Solution Surveillance Camera setting not Enable surveillance camera in enabled. Settings. A LAN cable between the TeraStation and network camera Check that the LAN cables are is disconnected, or the power is inserted correctly. To use Trend Micro NAS software, purchase an OPTSVC license pack sold separately. If your TeraStation includes activated antivirus software, no license registration is necessary. Click Activate. The new license is now registered.

To check the status of the current license, open the Trend Micro NAS Security settings page and navigate to Administration Product License on the leftside menu. You can log on with the TeraStations admin account. Trend Micro NAS Security settings will open. Note The Trend Micro NAS Security settings page is compatible with IE 6.0 SP2 or later Windows and Firefox 1.5 or later Windows or Mac. Enter the IP address and port of the proxy server, then click Save. The antivirus software is now configured to use a proxy server. Updating For best results, configure your antivirus software to update automatically as described below. Select a time for updates to begin, an interval for updates, and an amount of time for updates to continue. Select the components to update. Click Save. The antivirus software is now configured to update automatically at the scheduled time. Updates will not be downloaded if the TeraStation is turned off, in standby mode, or disconnected from the Internet. This is the default type of scanning. Your TeraStation may run slower if realtime scanning is enabled. Scheduled Scan A scheduled scan is executed at specific regular intervals, such as every Tuesday at 3 am. Manual Scan A manual scan runs once when initiated. Click the log item that you want to check. Click Display Log. This completes the procedure for checking the log. Online Help For more information on the antivirus software, refer to the online help. Follow the procedure below to access the online help. Online help will open. Online help is now ready to use. Email Notification Your TeraStation can send you email reports daily, or when settings are changed or an error occurs. Click OK to send a test email. Sleep Mode To save energy, you can specify times to put the TeraStation into sleep standby mode, during which the hard drive and LEDs are turned off. The time to wake from sleep mode can be set from 000 to 2345.

On Wednesday, normal operation begins at 1000 and the unit goes into sleep mode at 100 am of the next day. If the TeraStation is connected to a Buffalo wireless router configured for remote access, then it may be turned on from outside the local network from the WAN side. To use this feature, connect the router to only LAN port 1 on the TeraStation. Configure two LAN ports on the switch for port trunking first. Connecting a Printer You can connect a printer to the USB port on the TeraStation. Register the printer. Setting Up a Printer with Windows XP In Settings, click Services. Move the print server switch to the position to enable the print server. Refer to the manual supplied with the printer. Click Start Control Panel. TeraSearch TeraSearch lets you search for character strings contained in files text files, Word files, etc. stored on the TeraStation. Follow the steps below to enable it. In Settings, click File Sharing. Click the shared folder to be indexed. Enter the port number that you want to use and the time that the index will be updated, then click OK. Open the following URL in your browser. Enter your TeraStations username and password, then click Login. Rightclick the icon of the shared folder on the TeraStation for which you have set the offline feature, then click Always available offline. DFS Distributed File System is a set of client and server services that allows Windows users to organize many distributed SMB file shares into a distributed file system. If disabled, up to 8 DFS link target shared folders can be created under the DFS root. Enter DFS Root Folder Name. Click Add Link. Enter the link name, hostname, and shared folder name, then click OK. Click OK. There are many types of UNIX and the procedures for configuring NFS with them will vary considerably. Note To delete a client, check the hostname and click Delete Client. Click Close. Enter the mount command to access the shared folder from the NFS client.

The mount command depends on your operating system. Disregard this message and continue. Choose an external port, then click OK. MySQL Server The TeraStation can be used as a MySQL server. A MySQL database may be installed and linked with the web server. In Settings, click Services Move the MySQL server switch to the position to enable the MySQL server. SNMP If SNMP is enabled, you can browse your TeraStation from SNMPcompatible network management software. The specific MIB management information base file for Buffalo is available from the Buffalo website. In Settings, click Network. Saving and Applying Settings The TeraStations settings can be saved to a USB memory device and restored to another TeraStation of the same series. In Settings, click Management. Restoring Factory Defaults Initializing from Settings To initialize the TeraStation to its

factory defaults from Settings, follow this procedure. You can initialize them without logging in to Settings. Follow the steps below to create a system initialization drive. This could be very useful if you forget your admin password. Connect a 1 GB or larger USB memory device not included to a USB 2.0 port on the TeraStation. The file operation log stores file operations performed on the internal hard drives. File operations on USB drives are not logged. Note All logs are encoded in UTF8 format. To transfer logs Click Edit. Click Install Update. You can also download the latest firmware from the Buffalo website. Updating Automatically In Settings, click Management. Alternately, you may choose to schedule updates for a specific time of day. Name, Date, Time, and Language Configure the TeraStations hostname, date, time, and language as shown below. Note If the TeraStation is being used as an iSCSI hard drive, to change the settings, navigate to Drives iSCSI in Settings and set the icon to In Settings, click Management. By default, the TeraStation adjusts its clock automatically by using a default NTP server.

This NTP server belongs to Internet Multi Feed Inc. Note The internal clocks of the TeraStation and other devices on your network may run at slightly different speeds. To change the language displayed in Settings, go to Advanced Settings or Easy Admin and click Language in the menu bar. Choose your desired language from the dropdown menu. Beep Alerts You can set the TeraStation to beep when certain errors occur. Configure your settings, then click OK. Jumbo Frames If your other network devices support it, you may be able to increase network performance with jumbo frames. In Settings, click Network. Click the LAN port where the jumbo frames will be used. Select the desired Ethernet frame size and click OK. Changing the IP Address Normally, the TeraStations IP address is set automatically from a DHCP server on your network. If you prefer, you can set it manually. Access to a different network subnet is not possible from LAN port 2 since it doesn't have a default gateway. If you installed the TeraStation with the TeraNavigator CD, NAS Navigator2 was installed automatically. Disconnect Share Unmaps the network drive. Map All Remote Shares to Assigns all the TeraStations shared folders as network Drive Letters drives. Create Desktop Shortcut Creates a shortcut to the TeraStations shared folder share. Menu Launch NAS Navigator2 on Launches NAS Navigator2 in the system tray when Windows. Browse Shares Displays NAS Navigator2 window. Exit Exits NAS Navigator2. The following tasks may be performed from the TeraStations properties page.

Name	Description
Configuration	Click Settings to open the configuration interface.
Check Use DHCP	to assign an IP address from the DHCP server automatically. If there is no DHCP server in the network, you cannot use this function.
An icon for the mapped share	will appear in Computer or My Computer. You can use this network drive just like any other hard drive.
Changing the IP Address	Doubleclick the icon to start NAS Navigator2.

If the username and password prompt appears, enter the admin username and password. Note The following IP addresses are reserved and should not be used. To launch it, click the icon in the Dock. Click the icon in the Dock to start NAS Navigator2. Doubleclick the TeraStation icon or click the TeraStation icon while holding down the control key, then select Open Folder. To launch it, click Start All Programs BUFFALO iSCSI Connection Tool iSCSI Connection Tool. Home Screen Name Description If a TeraStation is selected, clicking Register iSCSI Device will register all the volumes in the TeraStation to the computer for enabling connection to Target individual volumes. If a volume is already registered, click Unregister iSCSI Device to unregister all volumes, disconnecting them from the TeraStation. User authorization Enabled User authentication is needed to connect to a volume. If selected, the computer will connect to the volume automatically at Connect on Start Up boot. Refresh Search for network devices on the LAN. Exit Exit iSCSI Connection Tool. To launch NovaBACKUP, click the icon on your computers desktop. For more detailed information, click View Help in the NovaBACKUP Express Wizard or click Help Topics at the upper right of the NovaBACKUP home screen. Fan Failure duster, or other tool to remove them. If the error is displayed again, contact Buffalo technical support for assistance. Do not place objects in the area around the SYSTEM Error E12 A rise in the system temperature may TeraStation. Preparing The

TeraStation was started from the USB Recovery I43 recovery device, but the system cannot
Unsupported HW be recovered from this USB recovery device. Recovery from the USB recovery
device Recovery I44 Make sure that drive 1 is present and fully was initiated, but drive 1 was not.
UPS Port DSUB 9 pin Male x 1 UPS Port Note Compatible UPS are manufactured by Omron or APC.

<http://www.drupalitalia.org/node/73305>